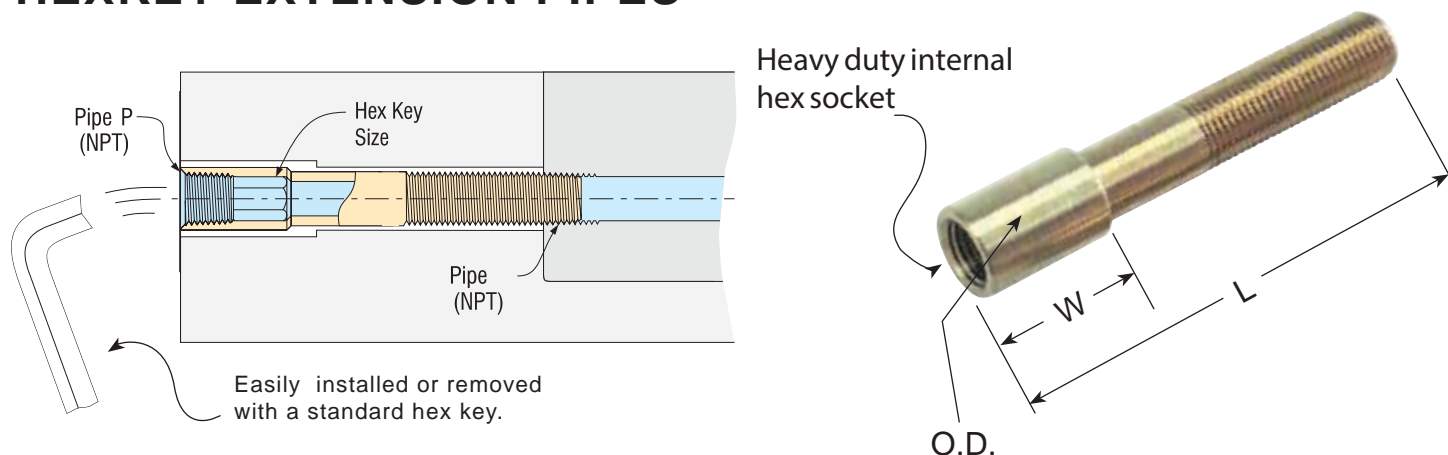




## HEXKEY EXTENSION PIPES



CATALOG NUMBER	P TAP SIZE FEMALE (NPT)	M PIPE SIZE MALE (NPT)	W	O.D.	HEX KEY SIZE	OVERALL LENGTH "L"				
						2-1/2	4"	5-1/2	7"	8-1/2
EP18	1/8	1/8	3/4	1/2	1/4	X025	X040	X055	X070	X085
EP14	1/4	1/4	1"	11/16	3/8	X025	X040	X055	X070	X085
EP38	3/8	3/8	1-1/4	13/16	1/2	X025	X040	X055	X070	X085
EP50	1/2	1/2	1-1/2	1"	9/16	X025	X040	X055	X070	X085

➤ HexKey Extension Pipes are available in a wide variety of special lengths and threads.

➤ Accurate length adjustments are easy with the Brass Extension Plug thread system.

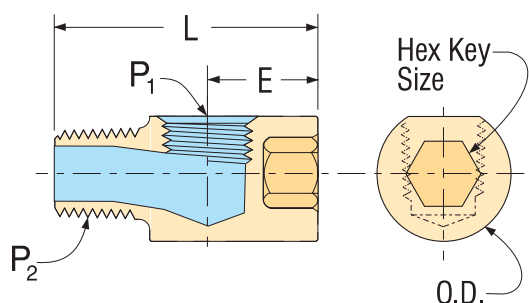
➤ To order, add overall length to catalog number. Example: EP18X025

## HEXKEY STREET ELBOWS

CATALOG NUMBER	P1 TAP SIZE FEMALE (NPT)	P2 PIPE SIZE MALE (NPT)	L	E	O.D.	MINIMUM CLEARANCE DIAMETER	HEX KEY SIZE
KL16	1/16	1/16	1.156	0.531	0.552	9/16	1/4
KL1618	1/16	1/8	1.218	0.531	0.615	5/8	5/16
KL18	1/8	1/8	1.312	0.580	0.615	5/8	5/16
KL1814	1/8	1/4	1.500	0.593	0.860	7/8	3/8
KL14	1/4	1/4	1.625	0.660	0.860	7/8	3/8
KL1438	1/4	3/8	1.625	0.712	0.985	1"	1/2
KL38	3/8	3/8	1.750	0.780	0.985	1"	1/2
KL50	1/2	1/2	2.250	0.940	1.235	1-1/4	1/2

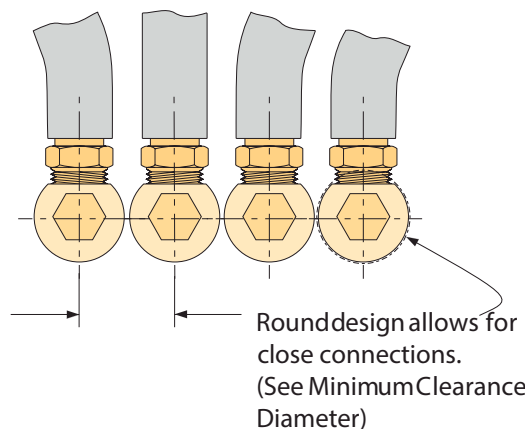


Extra heavy duty hex socket allows maximum assembly torque and positive removal.



➤ HexKey Street Elbows install with an Allen wrench for positive assembly and removal.

➤ Angular coolant path allows connecting fittings to be torqued tight without choking off flow.



Round design allows for close connections. (See Minimum Clearance Diameter)